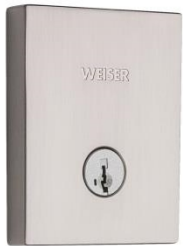


**GA8771 SAN CLEMENTE – SINGLE CYLINDER**

SAN CLEMENTE – SINGLE CYLINDER

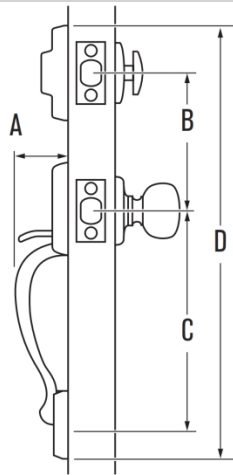


**SPECIFICATIONS**

<b>DOOR PREP</b>	Deadbolt: Cross Bore 2-1/8" or 1-1/2" Edge Bore 1" Latch Face 1" x 2-1/4"
	Handle: Cross Bore 2-1/8" Edge Bore 1" Latch Face 1" x 2-1/4"
<b>BACKSET</b>	Adjustable to 2-3/8" or 2-3/4"
<b>DOOR THICKNESS</b>	1-3/8"–1-3/4" doors standard thickness
	Thick door service part available for up to 2-1/4"
	Not designed for use on 1-3/8" doors
<b>CYLINDER</b>	Standard SmartKey
<b>FACEPLATE</b>	1" x 2-1/4"
	Square, radius corner and drive-in standard
<b>STRIKES</b>	Deadbolt: Cross Bore 1-1/8" x 2-3/4" Specify round corner or square corner
	Handle: 2-1/4" full lip Specify round corner or square corner
	Other options available
<b>BOLT</b>	Deadbolt: 1" steel
	Handle: 1/2" throw. Nickel plated.
<b>DOOR HANDING</b>	Reversible for right or left-hand doors
<b>ANSI/BHMA</b>	A156.5 Grade 1 (for deadbolt)
<b>UL AVAILABILITY</b>	Meets 20 minute with Square, Radius or drive-in latch
<b>ASTM</b>	All Weiser product meets ASTM E 331 water penetration testing

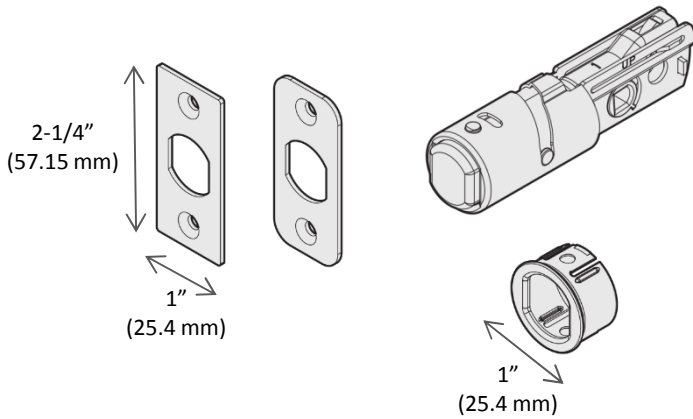
SPECIFICATIONS

PRODUCT DIMENSIONS



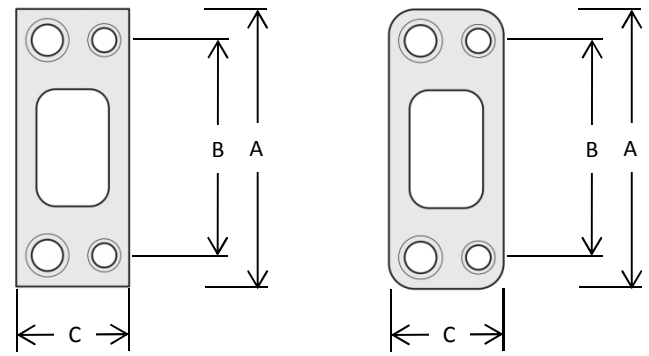
	A	B	C	D
<b>GA8771 SCE</b>	2-5/8"	5-1/2"	8-13/32" through 9-11/16"	17-29/32"

6-WAY ADJUSTABLE LATCH



SQUARE CORNER

RADIUS CORNER



<b>A</b>	2-3/4" (69.85 mm)
<b>B</b>	2-1/8" (53.975 mm)
<b>C</b>	1" (28.321 mm)

PRODUCT AVAILABILITY



VENETIAN BRONZE SATIN NICKEL POLISHED CHROME SATIN CHROME IRON BLACK

		20 min.	Venetian Bronze	Satin Nickel	Polished Chrome	Satin Chrome	Iron Black
GA8771 SCE	Single Cylinder	<input type="checkbox"/>	<input type="checkbox"/>	<input type="checkbox"/>	<input type="checkbox"/>	<input type="checkbox"/>	<input type="checkbox"/>